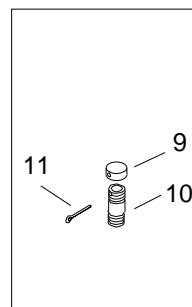
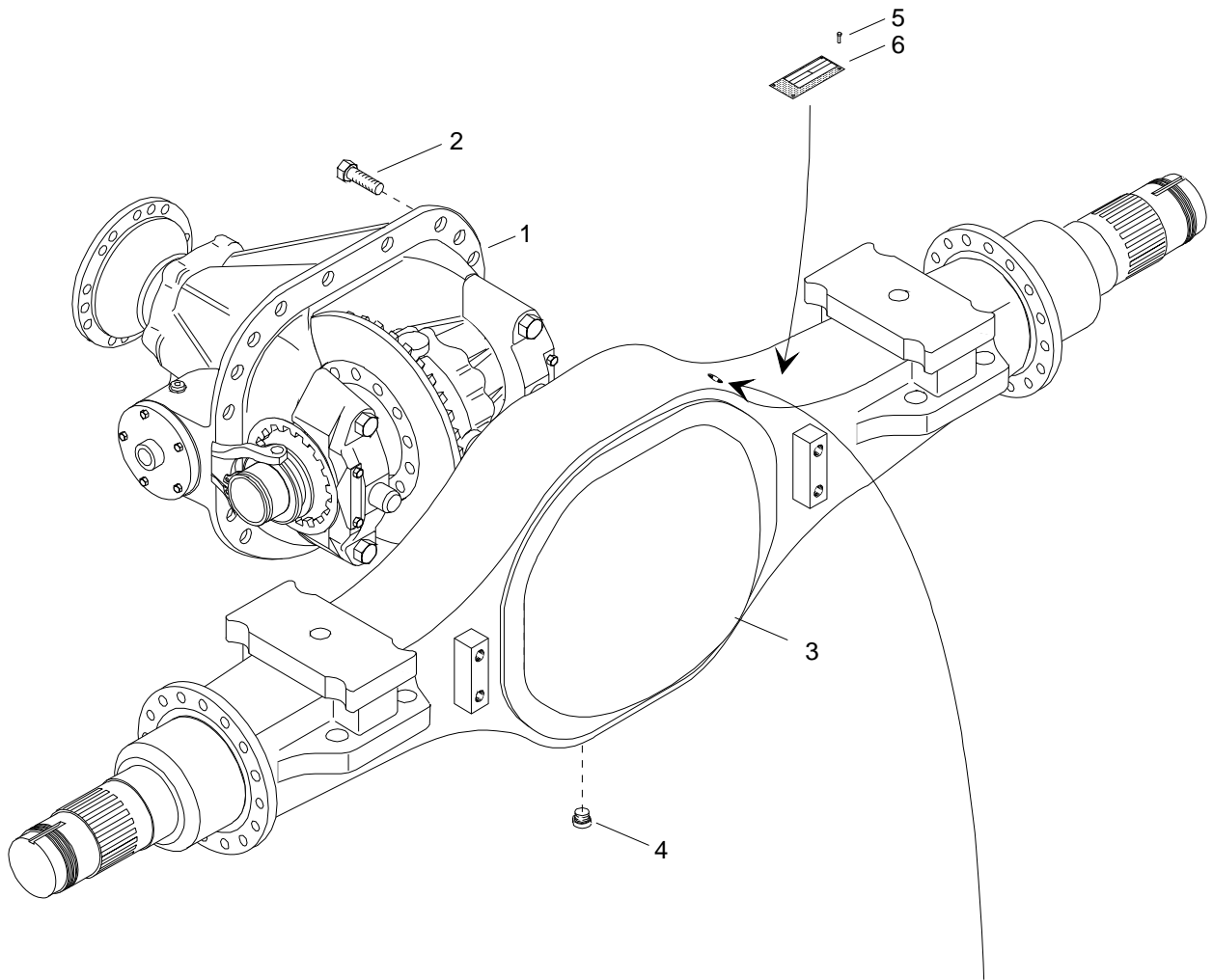


SISU AXLES

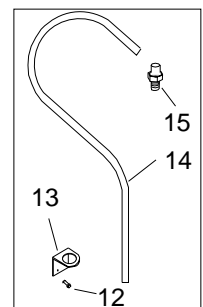
SPARE PARTS BOOK

**Industrial Axle
SRDP
SRDP30S1059/013
Up to S/N 152240 (7/ 2005)
Book No. 151 (01/2007)**

Sisu Axles, Inc.
Autotehtaan tie 1
PO Box 189
FIN-13101 Hämeenlinna
Finland
Phone +358 204 55 2999
Fax +358 204 55 2900



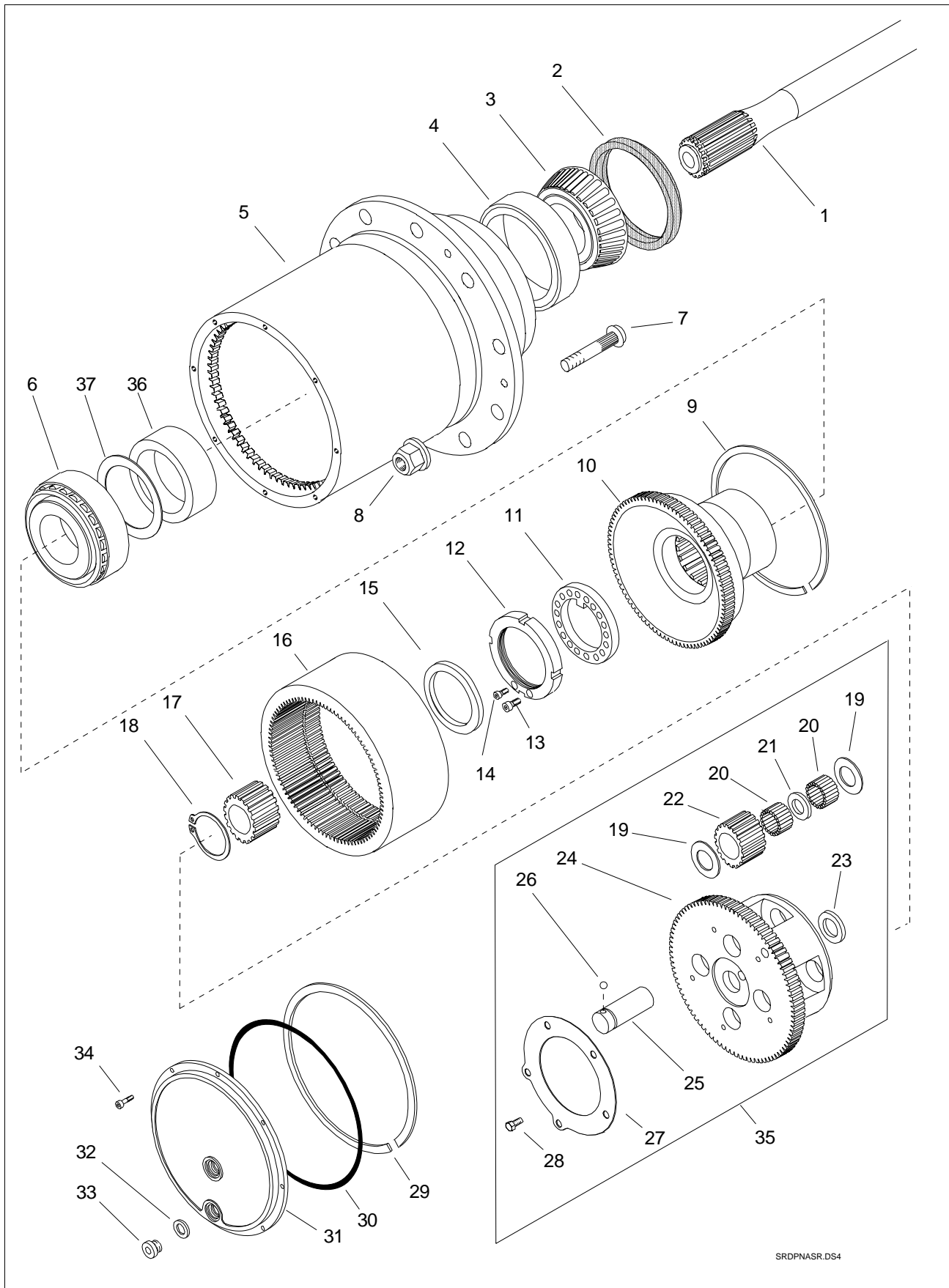
Huohotin 1
Breather 1



Huohotin 2
Breather 2

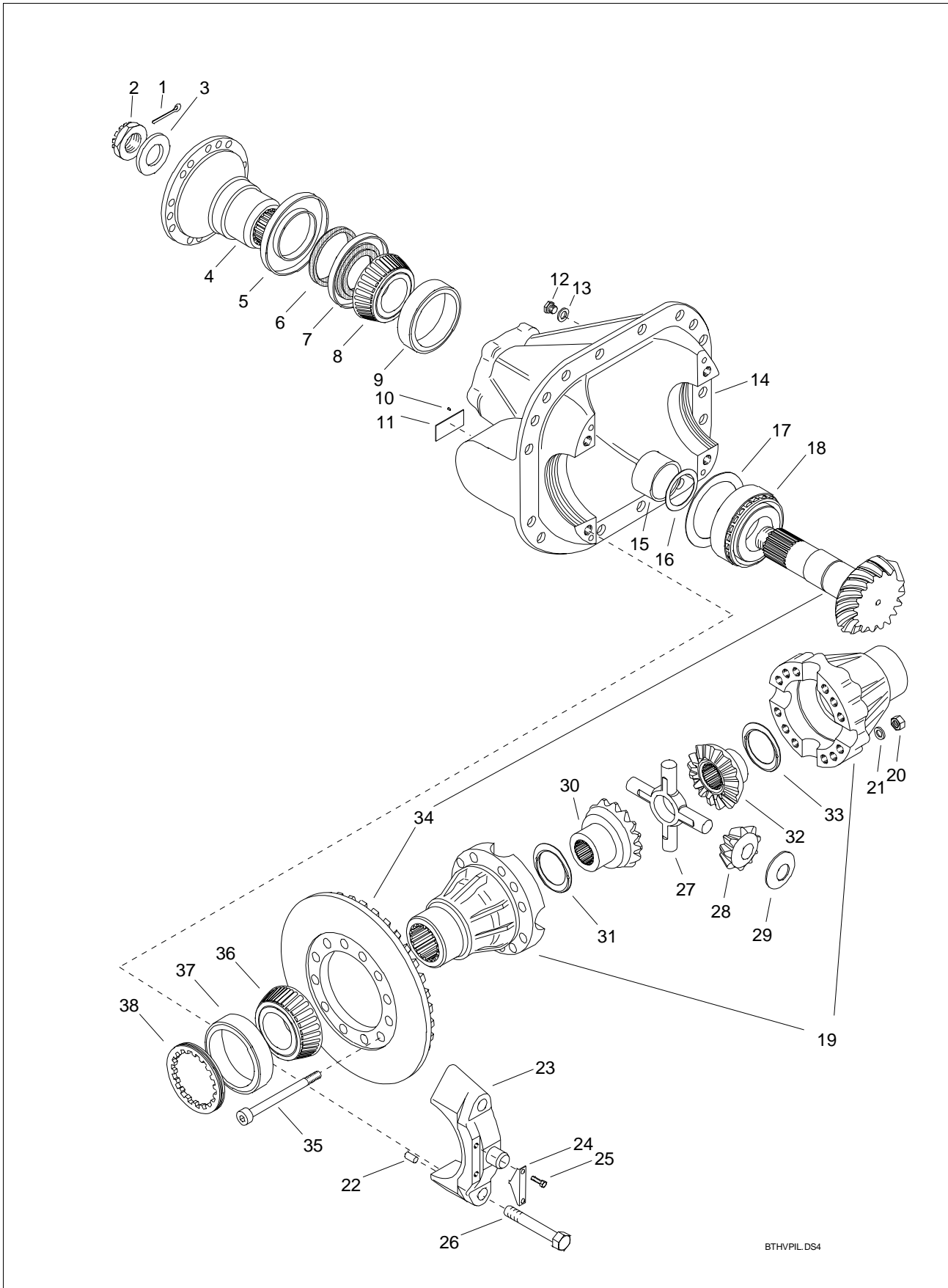
BTHBANJO.DS4

Item	Qty.	Order no.	Description	Note
1	1	543-203-1211	Diff. Carrier Assembly	FR 10.59, Without diff. Lock
2	16	90303-16407	Hex Screw	M16x40, 10.9
3	1	543-116-5000	Axle Housing	
4	1	90831-24139	Oil plug	R3/4, up to No. 00702 (2/2000)
4	1	90873-22109	Oil plug	M22x1.5, since No. 00703 (2/2000)
4	1	91201-22150	Seal ring	For M22 plug
5	4	90111-29054	Rivet	D2.9x5
6	1	591600-20823	Name plate	
9	1	179-842-0000	Breather Cover	
10	1	179-841-1000	Breather pipe	
11	1	90621-32253	Split pin	3.2x25
12	2	90111-29054	Rivet	D2.9x5
13	1	143-227-0800	Mounting Plate	
14		95242-06010	Plastic Pipe	Ø9.5/15.5 L=350
15	1	91978-30901	Binding screw	R3/8"/D10

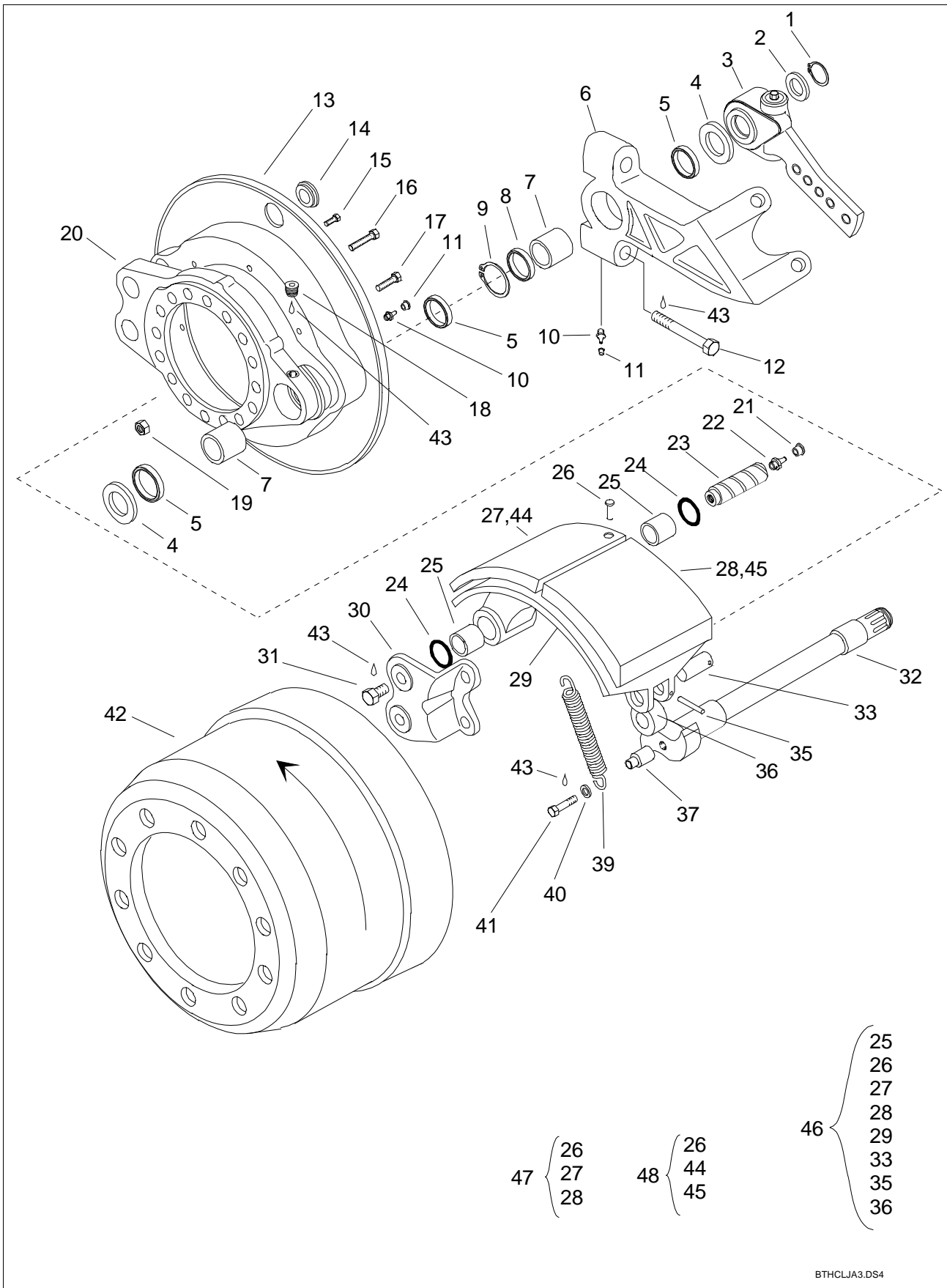


SRDPNASR.DS4

Item	Qty.	Order no.	Description	Note
1	2	543-511-9410	Axle Shaft	
2	2	591122-12702	Shaft seal	D127/160, Since S/N 22221 (9/2002)
2	2	91122-12701	Shaft seal	D127x159 (8/1995 --> 9/2002)
3	2	090-111-0000	Bearing inner race	
4	2	090-121-5700	Bearing outer race	
5	2	143-441-0410	Wheel hub	(8/1995 --> 9/2002)
5	2	543-441-0700	Wheel hub	Since S/N 22221 (9/2002)
6	2	91744-01201	T. Roller bearing	
7	20	140-911-2510	Wheel bolt	L=93 mm, 12.9
8	20	540-916-1610	Wheel nut	M22x1.5
9	2	91720-22501	Retainer ring	D225x3
10	2	535-271-0401	Ring gear hub	
11	2	143-418-0510	Lock Washer	S=6 mm, punched
12	2	599-290-8004	Lock Nut	M90x2, s=16 mm
13	2	590319-08186	Allen Screw	M8x18
14	2	590319-08126	Allen Screw	M8x12
15	2	090-721-8500	Protective cup	D60/85x10
16	2	135-261-1900	Ring gear	
17	2	135-211-1100	Sun gear	Z17, spline D52/Z24
18	2	91711-05200	Retainer ring	D52x2
19	16	090-354-1050	Spacer plate	
20	480	090-005-0530	Needle roller	D4.762x28.5
21	8	090-354-1040	Spacer ring	
22	8	135-241-1100	Planet gear	
23	2	141-582-0000	Thrust Washer	
24	2	141-441-0900	Planet carrier	
25	8	135-251-1100	Planet gear shaft	
26	8	91375-10000	Lock Ball	D10
27	2	135-259-0210	Lock Washer	
28	10	90303-08203	Hex Screw	M8x20
29	2	91720-26001	Retainer ring	D265x4.2
30	2	91109-50030	O-ring	D249.5x3
31	2	141-422-0410	Planetary gear cover	
32	4	91201-22152	Seal ring	D22/27x1.5 Al
33	4	90873-22103	Plug	M22x1.5 - DIN908, Allen head
34	16	90313-06168	Allen Screw	M6x16
35	2	141-404-0081	Planetary gear	
36	2	543-416-0400	Spacer ring	L=44 mm
37	ar	590731-09520	Shim	s= 0.2 mm
37	ar	590731-09530	Shim	s= 0.3 mm
37	ar	590731-09550	Shim	s= 0.5 mm
37	ar	590732-09510	Shim	s= 1.0 mm



Item	Qty.	Order no.	Description	Note
1	1	90621-63633	Split pin	
2	1	90546-42653	Nut	
3	1	90705-43069	washer	
4	1	138-916-2110	Flange	HS1600
4	1	138-918-0400	Flange	HS1700-1800
4	1	138-947-0101	Flange	DIN180
4	1	538-967-0100	End Yoke	Input Splined Yoke 1710, spline N65, Z=24
5	1	090-711-9000	Shield	
6	1	090-400-9500	V-ring	
7	1	91122-08504	Shaft seal	
8	1	090-110-6740	Bearing inner race	
9	1	090-121-3700	Bearing outer race	
10	4	90111-29054	Rivet	
11	1	91600-20811	Name plate	
12	1	90871-22193	Plug screw	
13	1	91201-22150	Seal ring	
14	1	143-210-1411	Differential Carrier	
15	ar	099-557-1026	Spacer ring	(l=53.70)
15	ar	099-557-1027	Spacer ring	(l=53.72)
15	ar	099-557-1028	Spacer ring	(l=53.74)
15	ar	099-557-1030	Spacer ring	(l=53.78)
16	ar	099-517-1000	Shim	(s=0.30)
16	ar	099-517-1001	Shim	(s=0.40)
16	ar	099-517-1002	Shim	(s=0.50)
17	ar	90731-12010	Shim	(s=0.1)
17	ar	90731-12020	Shim	(s=0.2)
17	ar	90731-12050	Shim	(s=0.5)
17	ar	90732-12010	Shim	(s=1.0)
18	1	090-050-7001	T. Roller bearing	
19	1	543-310-4551	Diff. case assy	Without diff. lock, FR < 14.59
19	1	543-310-4561	Diff. case assy	Without diff. lock, FR => 14.59
20	12	90550-16247	Nut	
21	12	90710-17047	washer	
22	4	590604-08141	Pin	
24	2	143-227-0610	Lock Washer	
25	4	90303-08163	Screw	
26	4	90301-20377	Hex Screw	
27	1	143-331-1701	Spider	
28	4	143-341-1710	Pinion gear	
29	4	143-345-1010	Thrust washer	
30	1	543-351-4010	Side gear	
31	1	543-356-0400	Thrust washer	
32	1	543-351-4010	Side gear	
33	1	543-356-0400	Thrust washer	
34	1	143-240-2911	Ring and pinion gear set	12/30 Final Ratio 10.59
34	1	143-240-2921	Ring and pinion gear set	8/31 Final Ratio 16.41
34	1	143-240-2931	Ring and pinion gear set	7/34 Final Ratio 20.57
34	1	143-240-2941	Ring and pinion gear set	14/29 Final Ratio 8.77
34	1	143-240-2961	Ring and pinion gear set	9/31 Final Ratio 14.59
34	1	143-240-2971	Ring and pinion gear set	10/29 Final Ratio 12.28
35	12	90311-16298	Allen Screw	FR => 14.59
35	12	90311-16398	Allen Screw	FR <14,59
36	2	090-110-9000	Bearing inner race	
37	2	090-121-4700	Bearing outer race	
38	2	143-226-0012	Adjusting nut	



BTHCLJA3.DS4

Item	Qty.	Order no.	Description	Note
1	2	91712-02800	Retainer ring	D28x2
2	2	90700-29001	Spacer plate	D29/50x2
3	2	146-520-0033	Slack adjuster	178 mm, offset 0, manual
4	4	91726-43065	Support ring	D43/65x3
5	6	91122-04201	Shaft seal	D42/55x8
6	1	146-224-2510	Chamber bracket	RH, 13 deg.
6	1	146-224-2600	Chamber bracket	LH, 13 deg.
7	4	590-314-2062	Sleeve	D42/48x36
8	2	91122-04202	Shaft seal	D42/55x7
9	2	91720-05500	Retainer ring	D55x1.5
10	4	91402-10003	Grease nipple	M10x1, Straight
11	4	91421-06060	Shield hat	
12	4	90311-16708	Allen Screw	M16x70
13	2	146-131-2210	Dust Shield	210 mm
14	4	095-553-2000	Shield plug	D33/44
15	14	90303-08123	Hex Screw	M8x12
16	4	90301-14558	Hex Screw	M14x55
17	24	90169-01401	Hex Screw	M14x45
18	2	90873-10053	Plug screw	M10x1, Allen head
19	28	90550-14227	Nut	M14 self locking
20	2	146-111-2610	Brake Bracket	
21	4	91421-06060	Shield hat	
22	4	91402-10003	Grease nipple	M10x1, Straight
23	4	146-341-1200	Anchor bolt	D32x108, With grease nipple
24	8	91106-36212	O-ring	D36,2x3 Viton
25	8	590-313-2091	Sleeve	D32/36x25
26	96	91501-00819	Rivet	D6.2/12.3x18.3
29	4	146-351-4100	Brake shoe	210 mm, o-ring sealing
30	2	146-331-0400	Anchor support	
31	4	90303-10203	Hex Screw	
32	1	146-212-1200	S-cam shaft	LH, L=325,5
32	1	146-212-1300	S-cam shaft	RH, L=325,5
33	4	146-373-0201	Pin	D25x50 (Substitute for 146-373-0200)
35	4	90602-05450	Spring cotter	D5x40
36	4	146-371-0700	Roller	D25/54x28
37	6	599-601-8900	Bush	D12/20/25x36
39	4	92052-30002	Return spring	D30x165.5
40	6	90705-13023	washer	D13/24x2.5
41	6	90303-12603	Hex Screw	M12x60
42	2	146-311-7910	Brake drum	D410x210 mm
43		95752-10010	Thread locking compound	
46	4	546-306-0083	Brake shoe assy	210mm, Beral1561
47		546-360-3113	Brake lining set	210mm, Beral1561, for one wheel