

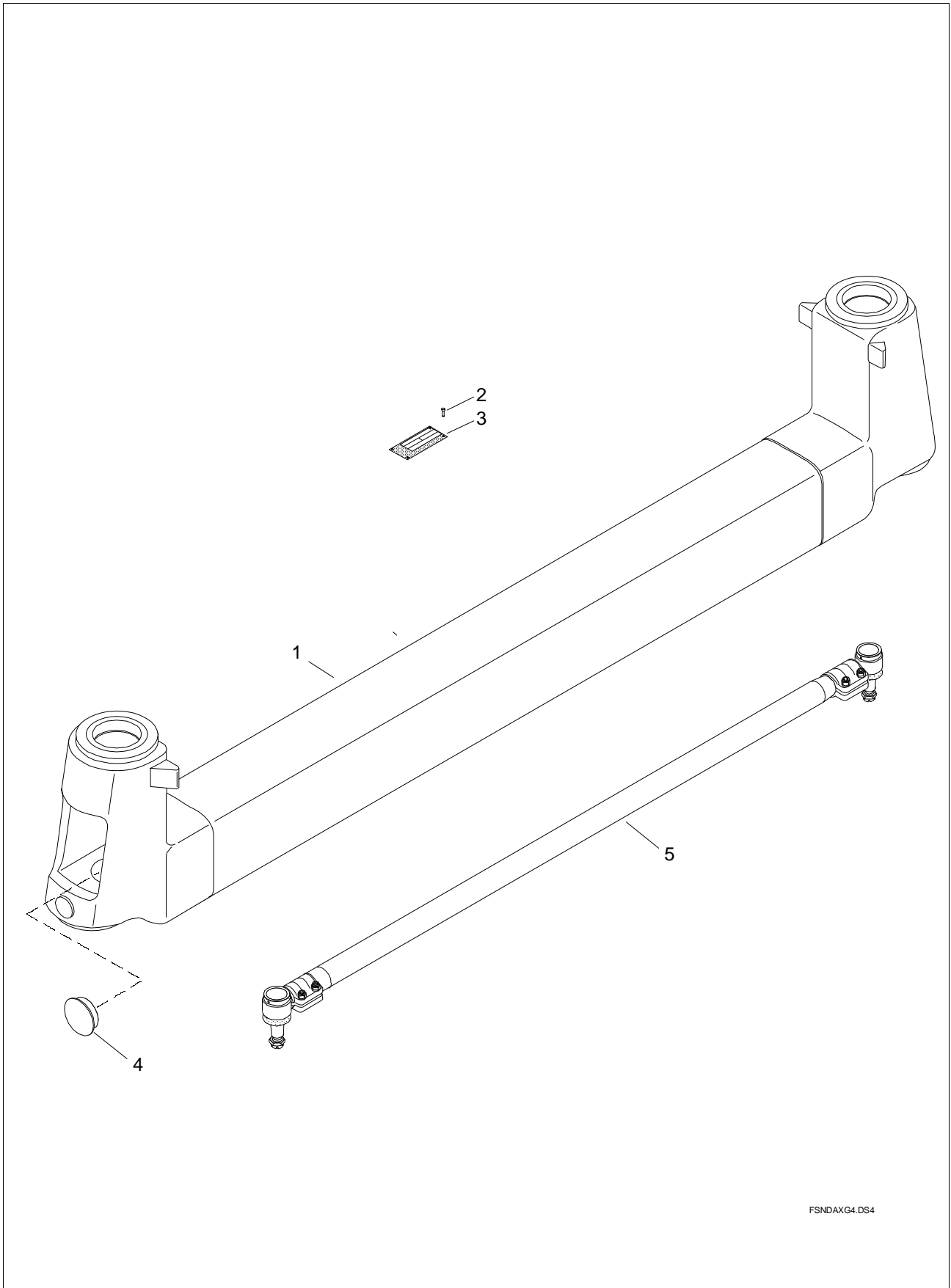
# **SISU AXLES**

## **SPARE PARTS BOOK**

**Front Axle  
FSND-12-G**

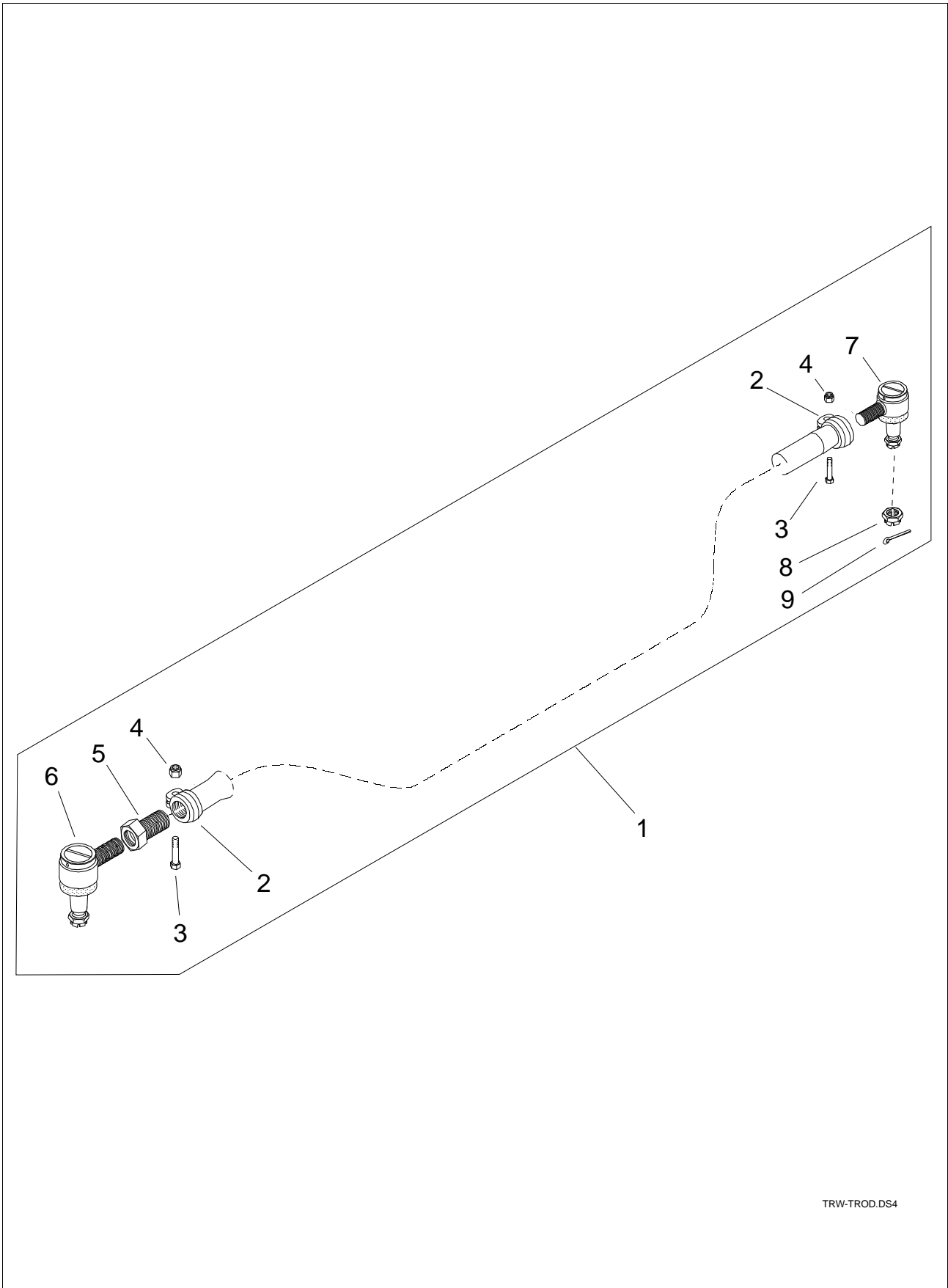
**Book No. 212 (4/2009)**

*Sisu Axles, Inc.*  
Autotehtaan tie 1  
PO Box 189  
FIN-13101 Hämeenlinna  
Finland  
Phone +358 204 55 2999  
Fax +358 204 55 2900



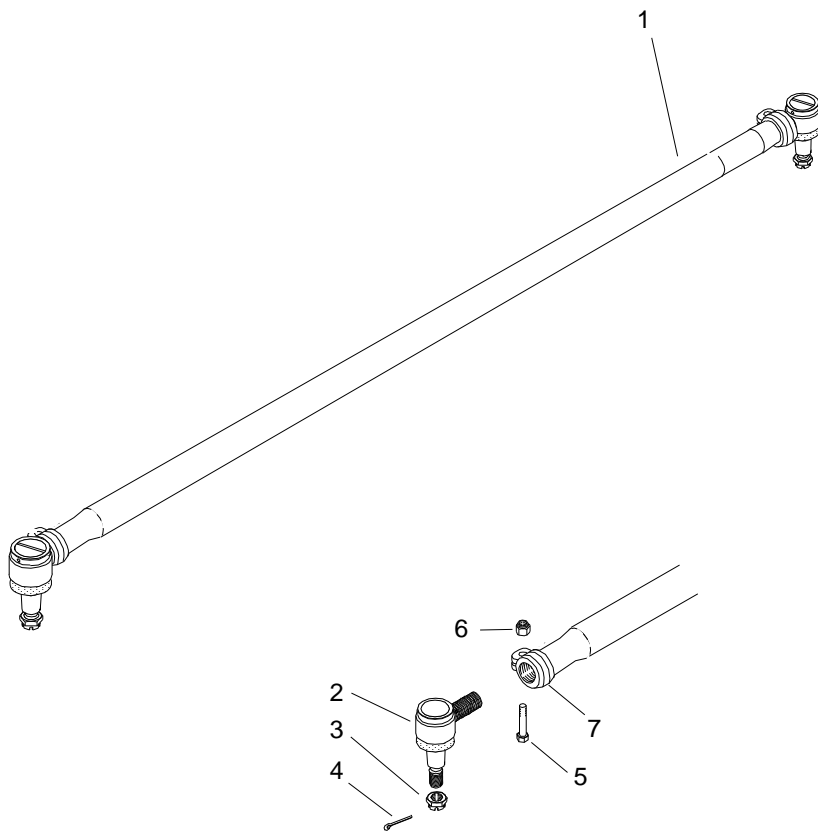
FSNDAXG4.DS4

Item	Qty.	Order no.	Description	Note
1	1	<b>541-113-1810</b>	Axle housing	Track 2360 mm
1	1	<b>541-113-3510</b>	Axle housing	Track 2580 mm
2	4	<b>90111-29054</b>	Rivet	D2.9x5
3	1	<b>591600-20823</b>	Name plate	
4	0	<b>595-518-0100</b>	Plug	Not installed
5	1	<b>540-201-9782</b>	Tie rod assy	L=1392 mm, drop 40 mm, track 2360
5	1	<b>540-201-9851</b>	Tie rod assy	L=1620 mm, straight, track 2580



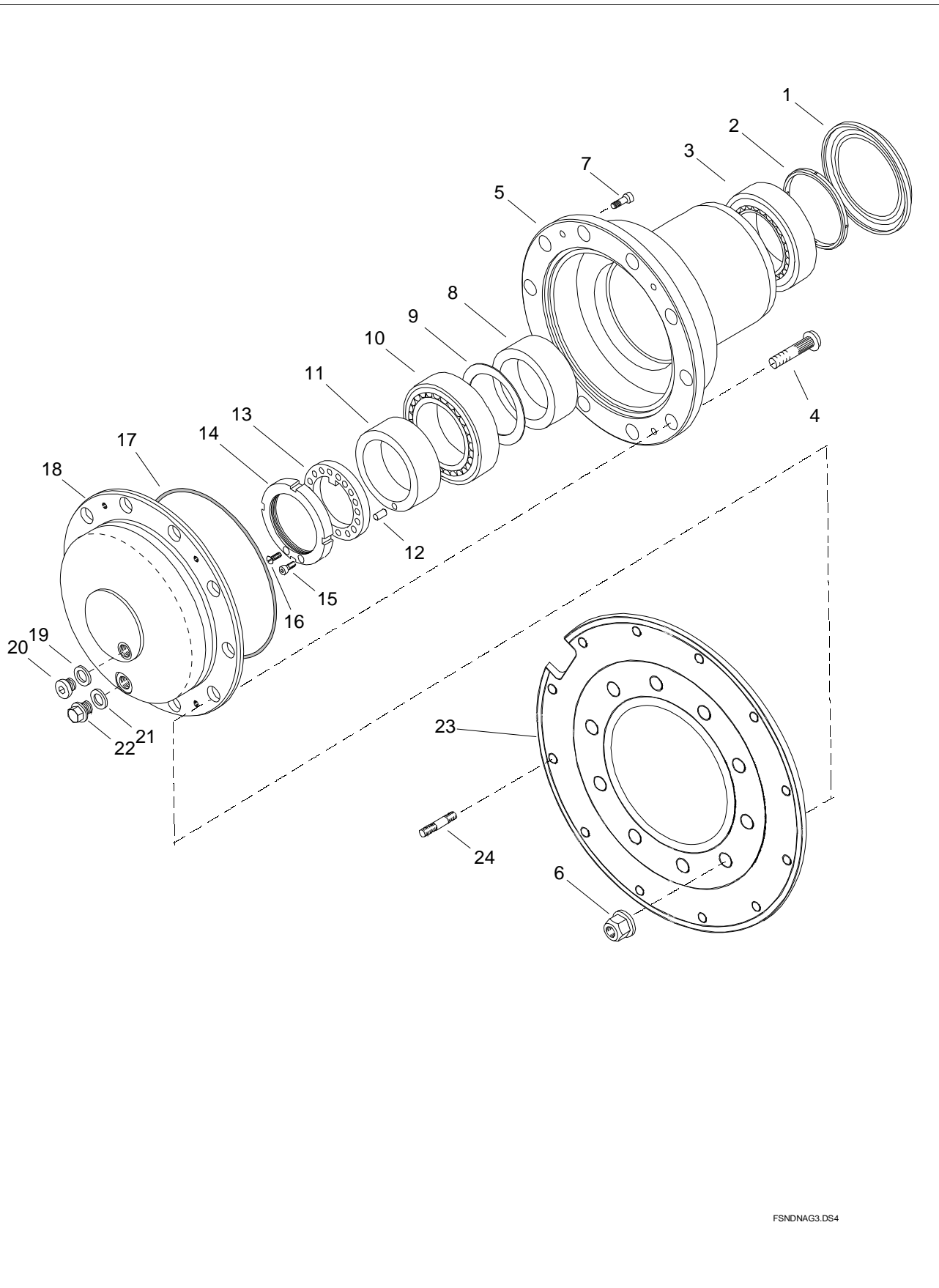
TRW-TROD.DS4

Item	Qty.	Order no.	Description	Note
1	1	<b>540-201-9782</b>	Tie rod assy	L=1392 mm, drop 40 mm, complete
2	2	<b>594-104-1110</b>	Clamp	50 mm diameter
3	2	<b>590321-14807</b>	Hex Screw	M14x1.5x80, DIN 960, 10.9
4	2	<b>590556-14227</b>	Nut	M14x1.5, DIN 980, 10
5	1	<b>540-216-0300</b>	Adj. piece	M38x1.5LH/M30x1.5RH
6	1	<b>560-530-0711</b>	Ball Joint Assembly	RH, D50, M30x1.5
7	1	<b>560-530-0511</b>	Ball Joint Assembly	RH, D50, M38x1.5
8	2	<b>590546-30463</b>	Nut	M30x1.5
9	2	<b>90621-63633</b>	Split pin	D6.3x63



TRWSTRO4.DS4

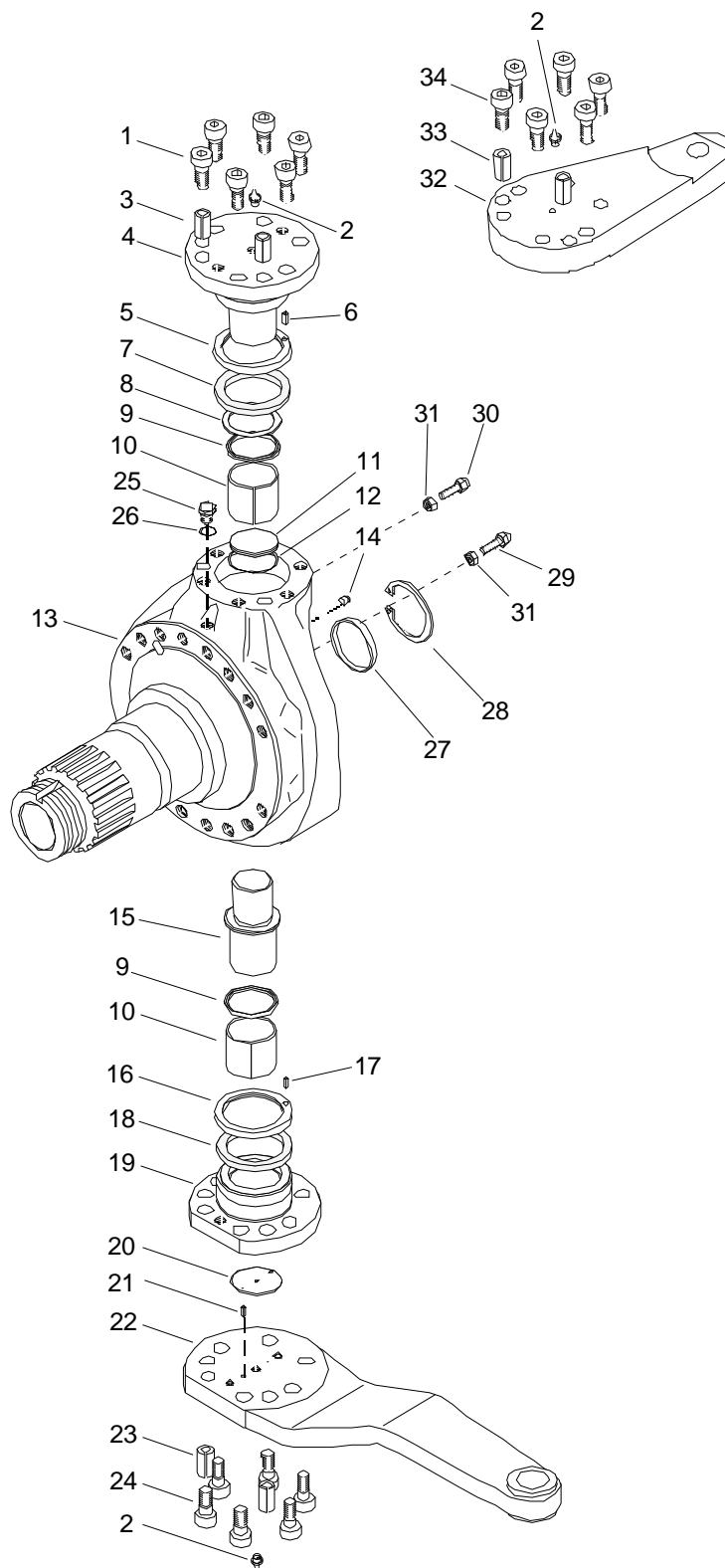
Item	Qty.	Order no.	Description	Note
1	1	<b>540-201-9851</b>	Tie rod assy	L=1620 mm, straight, complete
2	1	<b>560-530-0511</b>	Ball Joint Assembly	RH, D50, M38x1.5
2	1	<b>560-530-0521</b>	Ball Joint Assembly	LH, D50, M38x1.5
3	2	<b>590546-30463</b>	Nut	M30x1.5
4	2	<b>90621-63633</b>	Split pin	D6.3x63
5	2	<b>590321-12707</b>	Hex Screw	M12x1.5x70, DIN 960, 10.9
6	2	<b>590556-12197</b>	Nut	M12x1.5, DIN 980, 10
7	1	<b>606-0800-303</b>	Clamp	40 mm diameter



FSNDNAG3.DS4

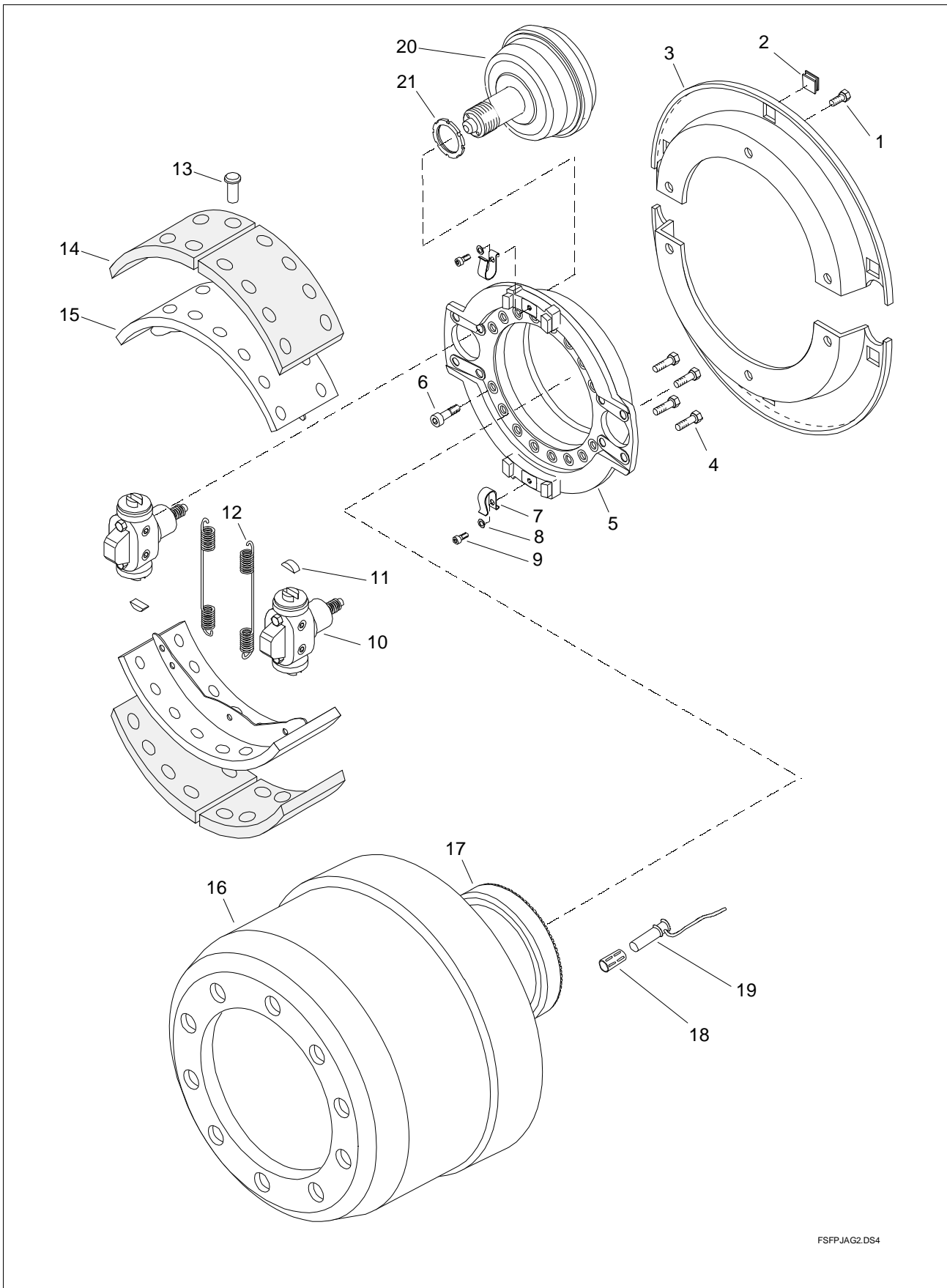


Item	Qty.	Order no.	Description	Note
1	2	<b>591122-13301</b>	Shaft seal	Ø133,4/187,5, Up to No. 20286 (2/2002)
1	2	<b>591122-15001</b>	Shaft seal	Ø150/180, Since No. 20287 (2/2002)
2	2	<b>540-415-1010</b>	Spacer ring	Up to No. 20286 (2/2002)
2	2	<b>540-415-1300</b>	Spacer ring	Since No. 20287 (2/2002)
2	2	<b>91101-33026</b>	O-ring	133x2.62
3	2	<b>91744-01101</b>	T. Roller bearing	
4	20	<b>140-911-2510</b>	Wheel bolt	L=93 mm
4	20	<b>540-911-3500</b>	Wheel bolt	L=103 mm
5	NLA	<b>541-411-1401</b>	Wheel hub	Superceded by item 541-411-1402
5	2	<b>541-411-1402</b>	Wheel hub	Reinforced, with seal 591122-13301
5	NLA	<b>541-411-1410</b>	Wheel hub	Superceded by item 541-411-1412
5	2	<b>541-411-1412</b>	Wheel hub	reinforced, with seal 591122-15001
6	20	<b>540-916-1610</b>	Wheel nut	M22x1.5
7	8	<b>90303-10303</b>	Hex Screw	M10x30
8	2	<b>543-416-0210</b>	Spacer ring	L=44 mm
9	ar	<b>590731-09510</b>	Shim	s= 0.1 mm
9	ar	<b>590731-09515</b>	Shim	s= 0.15 mm
9	ar	<b>590731-09520</b>	Shim	s= 0.2 mm (preferred thickness)
9	ar	<b>590731-09530</b>	Shim	s= 0.3 mm (preferred thickness)
9	ar	<b>590731-09550</b>	Shim	s= 0.5 mm (preferred thickness)
9	ar	<b>590732-09510</b>	Shim	s= 1.0 mm (preferred thickness)
10	2	<b>91744-01201</b>	T. Roller bearing	
11	2	<b>540-426-0300</b>	Spacer ring	D90/120x85
12	2	<b>590604-08141</b>	Pin	Ø8x14
13	2	<b>143-418-0510</b>	Lock plate	S=6 mm, punched
14	2	<b>599-290-8004</b>	Lock Nut	M90x2, s=16 mm
15	2	<b>590319-08186</b>	Allen Screw	M8x18
16	2	<b>590319-08126</b>	Allen Screw	M8x12
17	2	<b>591109-66052</b>	O-ring	D266x5.33
18	2	<b>541-422-1100</b>	Cover	
19	2	<b>91201-22150</b>	Seal ring	D22/27x1.5 Cu
20	2	<b>90873-22109</b>	Oil plug	M22x1.5 - DIN908, Allen head, magnetic
21	2	<b>91201-22150</b>	Seal ring	D22/27x1.5 Cu
22	2	<b>90871-22193</b>	Plug screw	M22x1.5, hex head
23	2	<b>540-982-0100</b>	Wheel support ring	
24	24	<b>590177-01901</b>	Stud bolt	3/4"-10 UNC x 57 - 10.9



FSFNOAG3.DS4

Item	Qty.	Order no.	Description	Note
1	12	90311-16508	Allen Screw	M16x50, w/o steering arms
2	4	91402-10003	Grease nipple	M10x1, Straight
2	4	91421-06060	Shield hat	
3	4	590602-18400	Spring cotter	D18x40, w/o steering arms
4	2	540-121-2010	King pin	
5	2	590-722-1200	Protective cup	D79.5/93x10.5
6	2	590602-03100	Spring cotter	D3x10 mm
7	2	590-561-0110	Gasket	Foam-seal, oil before installing
8	ar	590731-05621	Shim	0.2 mm
8	ar	590731-05631	Shim	0.3 mm
8	ar	590731-05651	Shim	0.5 mm
8	ar	599-413-8100	Spacer plate	1.0 mm
9	4	591222-05501	Shaft seal	D55/63x5.0
10	4	590-314-8110	King pin bushing	D60/55x50
11	2	595-518-0110	Plug	D50x6
12	2	591101-04720	O-ring	D47x2
13	2	541-141-1500	Steering knuckle	FSND & FSFN
14	2	590804-00060	Plug	Not serviced separately
15	2	540-121-1800	King pin	
16	2	590-722-1210	Protective cup	D65/93x11
17	2	90111-29054	Rivet	D2.9x5
18	2	590-561-0200	Gasket	Foam-seal, oil before installing
19	2	540-136-0301	Bearing housing	
20	2	599-413-8010	Thrust washer	D55x2.5
21	4	590602-04140	Spring cotter	D4x14
22	1	540-241-6200	Tie rod arm	FSFN, RH
22	1	540-241-6210	Tie rod arm	FSFN, LH
22	1	540-241-6300	Tie rod arm	FSND, RH
22	1	540-241-6310	Tie rod arm	FSND, LH
23	4	590602-18600	Spring cotter	D18x60
24	12	90311-16608	Allen Screw	M16x60
25	2	90871-10143	Plug screw	M10x1, hex head 14 mm
26	2	91201-10100	Seal ring	D10/13.5x1.0 Cu
27	2	595-518-0000	Plug	D80x10
28	2	092-957-8000	Retainer ring	D80x2.5
29	2	140-249-1400	Stop screw	FSFN, Total L=80mm
29	2	140-249-1500	Stop screw	FSND, Total L=65mm
30	2	140-249-1400	Stop screw	FSFN, Total L=80mm
30	2	140-249-1500	Stop screw	FSND, Total L=65mm
31	4	90502-16243	Nut	M16
32	2	504-0310-301	Steering arm	L=216 mm, Taper 1:8, big end down
32	1	540-261-6200	Steering arm	RH, L=215 mm, Taper 1:8, big end down
32	1	540-261-6210	Steering arm	LH, L=215 mm, Taper 1:8, big end down
32	1	540-261-7500	Steering arm	RH, L=271 mm, Taper 1:8, big end down
32	1	540-261-7510	Steering arm	LH, L=271 mm, Taper 1:8, big end down
33	ar	590602-18700	Spring cotter	D18x70, 2 pcs per steering arm
34	ar	90311-16908	Allen Screw	M16x90, 6 pcs per steering arm



FSFPJAG2.DS4

Item	Qty.	Order no.	Description	Note
1	12	<b>90313-08123</b>	Allen Screw	M8x12
1	12	<b>90705-08423</b>	washer	D8.4/17x1.6
2	12	<b>591426-02000</b>	Plug	
3	4	<b>546-131-7011</b>	Dust Shield	
4	16	<b>590316-14358</b>	Screw	Not serviced separately
4	16	<b>590707-14223</b>	washer	Not serviced separately
5	2	<b>546-111-3601</b>	Brake Bracket	
6	32	<b>90311-16608</b>	Allen Screw	M16x60
7	4	<b>546-817-0010</b>	Bracket	Including pos. 8 & 9, Not serviced separately
8	4	<b>590710-10547</b>	washer	Not serviced separately
9	4	<b>590317-10163</b>	Hex Screw	Not serviced separately
10	2	<b>546-011-0011</b>	Expander	RH, Including pos. 4
10	2	<b>546-011-0021</b>	Expander	LH, Including pos. 4
11	4	<b>546-358-0300</b>	Sliding shoe	
12	ar	<b>546-099-0001</b>	Repair kit of springs	For two wheels (inc. 7-9,12)
12	4	<b>592052-24002</b>	Return spring	Not serviced separately
13	96	<b>591501-00991</b>	Rivet	Not serviced separately
14	ar	<b>546-360-2111</b>	Brake lining set	200 mm, For two wheels, including rivets
14	ar	<b>546-360-2121</b>	Br. lining set(over size)	200 mm, For two wheels, including rivets
15	4	<b>546-309-9811</b>	Brake shoe assy	200 mm, Complete with linings
16	2	<b>546-311-8111</b>	Brake drum	Supersession for 146-311-7210 & 546-311-8200
17	2	<b>589-291-0300</b>	Ring gear	ABS
18	2	<b>189-295-0000</b>	Bush	ABS
19	2	<b>189-250-0071</b>	Sensor	ABS, Wabco
19	2	<b>589-250-0081</b>	Sensor	ABS, Knorr, protected wire
20	4	<b>572-101-2271</b>	Brake chamber	20", for wedge brake
20	4	<b>572-101-2281</b>	Brake chamber	18", for wedge brake
20	4	<b>572-101-2312</b>	Brake chamber	12", for wedge brake
21	0	<b>599-246-9010</b>	Lock Nut	Superceded by item 599-246-9100
21	4	<b>599-246-9100</b>	Lock Nut	1.75-12 UNS