



LOW SPEED, (CONTAINER HANDLING) NON-DRIVE STEER AXLE, SSND10S

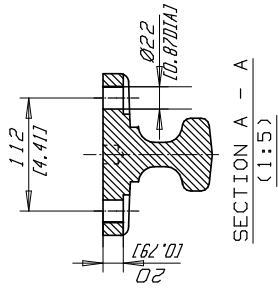
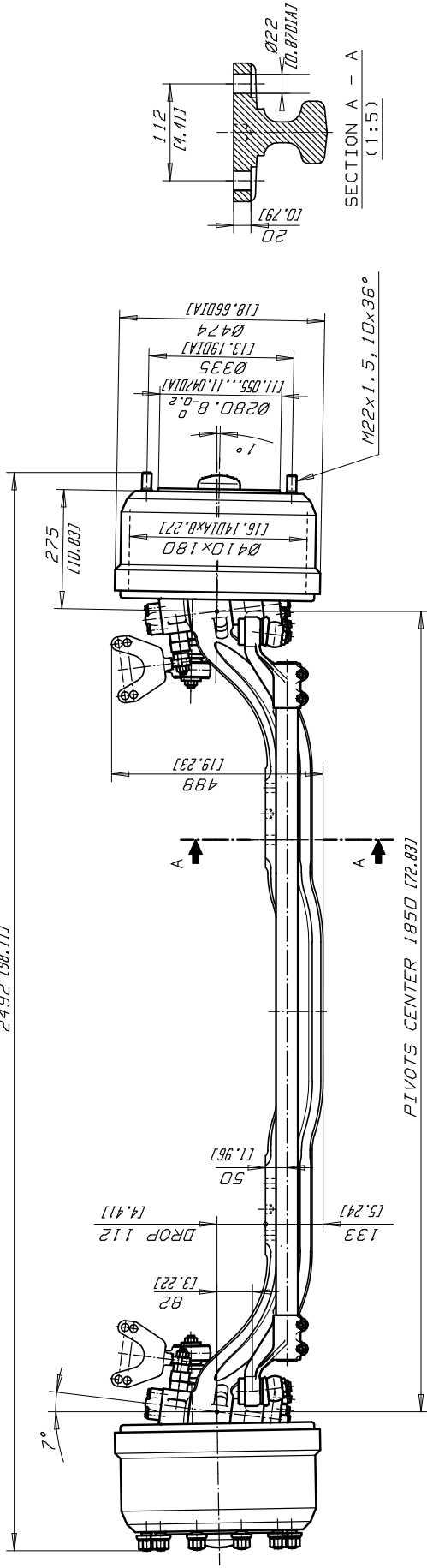
GAWR	10 000 kg [22,000 Lb.]
Axle Type	Forged Beam
Brakes	
Type	Drum, S-cam
Size	Ø410 mm x 180 mm Width
Slack Adjuster	Automatic, 165 mm [6.5 Inch] Length
Chamber	30 Square Inch
Certification	FMVSS 121
Steering	
KPI	7°
Caster	0°
Camber	1°
Turn angle	50°
Steering geometry (Ackerman)	Wheelbase 3.8m [149.6 Inch], Outer wheel angle 38°
Housing	Forged I-Beam, Drop 112 mm [4.4 Inch]
Wheel End	10-studs on 335 mm BC, 280.8 mm Pilot Diameter Minimum Wheel Size 20 Inch
Wheel offset (optimal)	Inset 120...160 mm [4.7...6.3 Inch]
Tracks Available (Over wheel mounting faces)	2400 mm [94.5 Inch]
Lubrication	
Type	Lithium Based Multi Purpose Grease According to NLGI 2
Weight-Dry	440 kg [970 Lb.]

All ratings are nominal. Actual capacities determined based upon review of application data by Sisu Axles Inc.

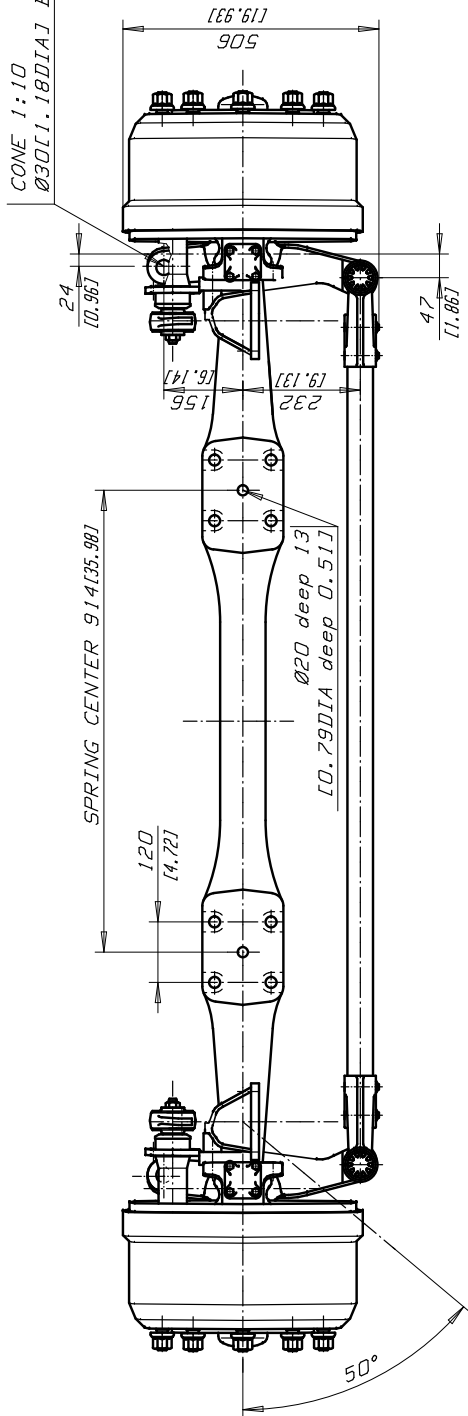
OPTIONS:	Hole Patterns	Wheel Stud Length
	Wheel Nuts	Brake Chambers
	ABS Provision	Steering Arm Configurations
	Top Coating	Slack Adjuster Types

Other options may be available. Contact Sisu Axles sales for more information.

2492 [96.111]



CONE 1:10
Ø300x1.180 DIA 1 BIG END



SISU AXLES	Summitte/ija	Vast.	Hyv.	Suude	Pvm: Entfrem? / Ost
	JL i	Stand.	Kort.	1:10	Rassa: Lask. / Punnittu
SSND-10-S	Pvm. 2007-11-06	DIMENSION DRAWING		CM	M540 029 0019
FOR OFFERING PURPOSES ONLY		FRONT AXLE			

FOR OFFERING PURPOSES ONLY