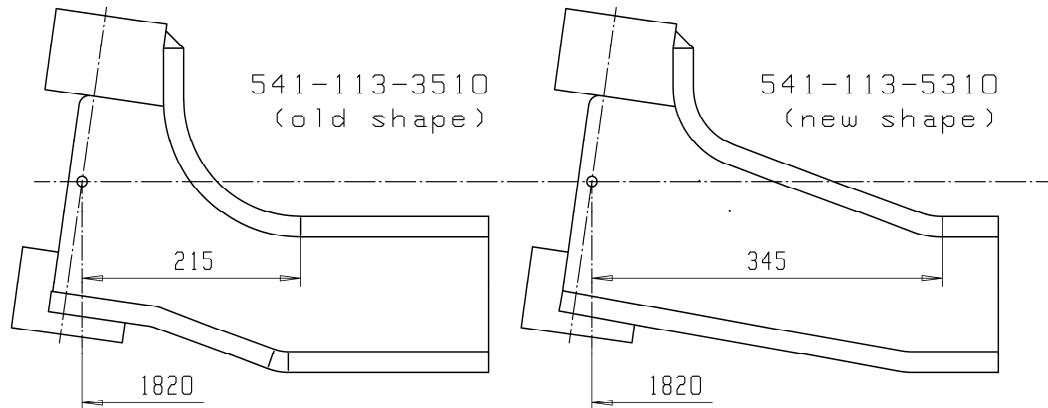


CHANGE IN THE AXLE HOUSINGS OF THE FSND-12-G NON-DRIVE WIDE FRONT AXLES

Main information: The axle housing of heavy, non-driving and wide (dimension over brake drums 2580 mm) axle housing will change. The axle housing 541-113-3510 will be replaced by axle housing 541-113-5310. The shape of axle housing ends has been modified.



Related products: All FSND-12-G axle configurations with above-mentioned axle housing are related to change.

Cause of Change: The durability of the axle housing is improved because of the new shape.

Changed Items:

Description	Old Part number	New Part number
Axle housing	541-113-3510	541-113-5310

Interchangeability: The new axle housings are totally interchangeable with the old ones. The axle product codes will not change.

Date of Change: The new axle housings will be taken in production as soon as the stock of the old axle housings is empty (estimated in January 2010).

Sisu Axles, Inc.
 Technical Support
 Autotehtaan tie 1
 PO Box 189
 FIN-13101 Hameenlinna
 Finland
 Phone +358 204 55 2999
 Fax +358 204 55 2900