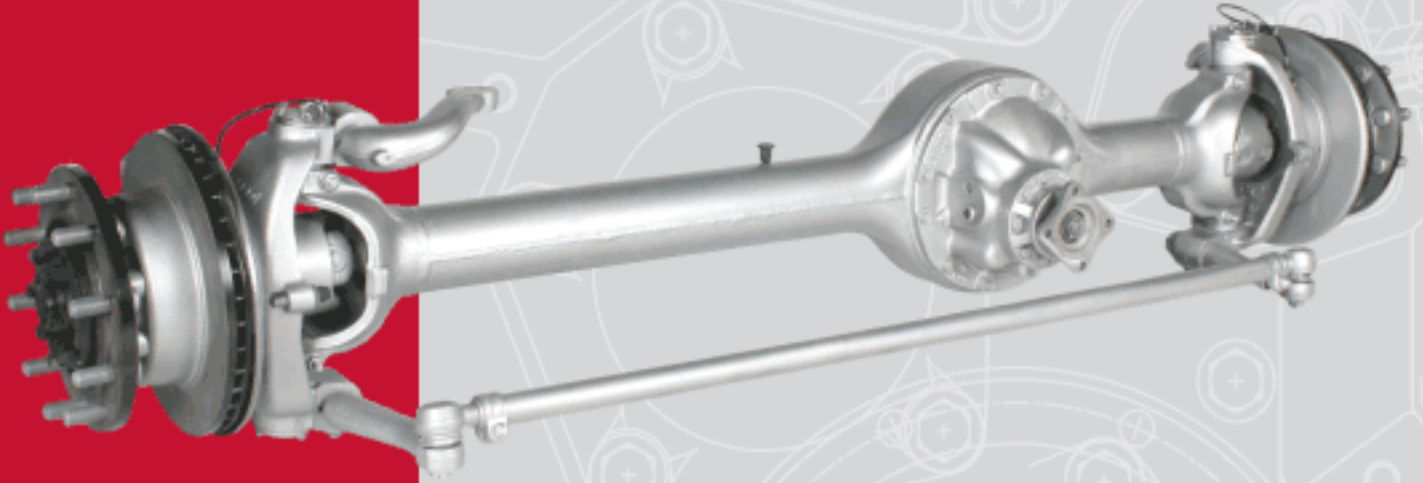


MT-10

Front Driving Axle

Medium-duty front drive axle for use in vocational AWD applications.

Marmon-Herrington



Capacity (at ground): 7,000 to 12,000#*

Reductions Available: 4.11, 4.33, 4.62, 4.88, 5.29, 5.57, 5.86, 6.14, 6.50, 6.83, 7.17

Axle Type: Full-Floating Steer Drive Axle

Pinion Joint Series: Spicer 1410, 1480, or 1550 / Meritor 141, 148, or 155 / SPL

Steering Joint Type: Double Cardan

Axle Housing: Steel Forging, 5.90 inch³S.M. @ Pad

Crimp Angles: 42°

Camber: 1°

Caster (built-in): 3°

King-Pin Inclination: 5°

Toe-in: 1/16" – 1/8"

Wheel Mount: Hub Piloted 285.75 MM B.C., 10-Stud

Wheel Mounting Distance: 91"

Track: Approximately 78"

Axle Mounting: Spring Centers and Pad Width to Vehicle Requirements

Approximate Axle Weight: 960#

Service Brakes: Bosch Pin Slide

ABS Hub Compatibility: Standard

Input Rotation: Counter Clockwise

OPTIONS:

Wheel Mount: Hub Piloted, 275 MM B.C., 8-Stud

Wheel Mount: Stud Piloted, 11.250" B.C., 10-Stud

Free Wheel Hubs

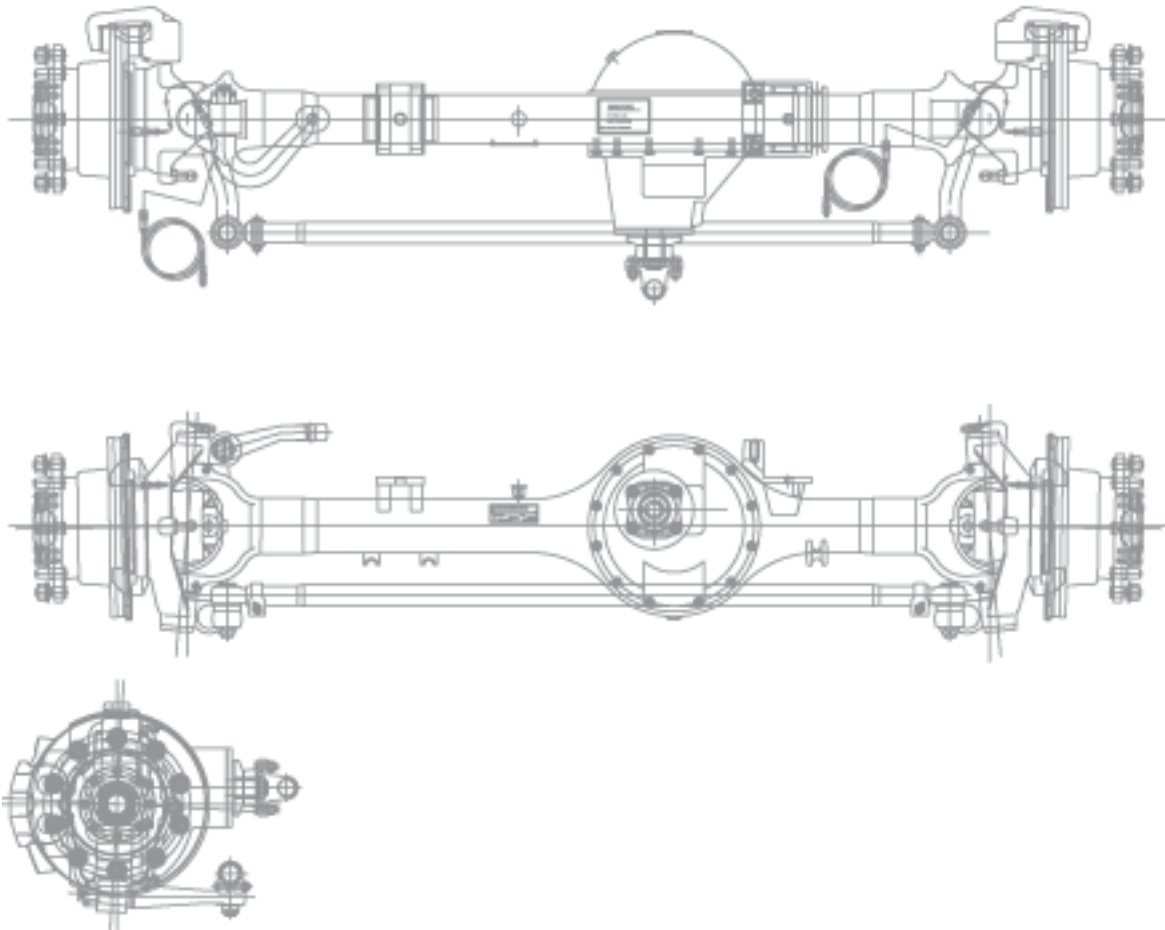
* (All applications must be approved by Marmon-Herrington Engineering)

Driving power since 1931.

MT-10

Front Driving Axle

Marmon-Herrington



** For dimensional information, please contact Marmon-Herrington.*

Marmon-Herrington:

**A legacy of
engineering
excellence that
lives on today.**

For over 75 years, Marmon-Herrington has been pioneering driving solutions that keep fleets moving and provide long-term value. Among our inventions: the Marmon Wasp, the first car ever to win the Indianapolis 500; double-cardan steering joints and low-profile differentials. Today, we're known for our full line of dependable axle systems

with premium components, product flexibility and best-in-class support.

Whether you're an OEM ready to outfit a fleet or a fleet manager looking for a kitting solution, Marmon-Herrington has the right system to get the job done and keep you moving. To learn more, call us at (800) 227-0727.

